

# **Jazz**<sup>TM</sup> **Micro-OPLC**<sup>TM</sup>

**Operator Panel and Programmable Logic Controller**



## **The Music of Efficient Automation**



---

<b>What is the Jazz™ OPLC™ ?</b>	<b>3</b>
<b>Applications</b>	<b>4</b>
<b>PLC &amp; HMI - The ultimate duet</b>	<b>5</b>
<b>Jazz™ - The ultimate instrument</b>	<b>5</b>
<b>Programming Software</b>	<b>6</b>
<b>Jazz™ Features</b>	<b>7</b>
<b>Communication</b>	
Jazz™ SMS Control	8-9
Remote Access	10
RS232	11
MODBUS	11
OPC/DDE Server	11
DataXport	11
<b>Technical Specifications</b>	<b>12-13</b>
<b>About Unitronics®</b>	<b>14-15</b>
<b>Distributors List</b>	<b>16</b>

---





# Jazz™ OPLC™

Break the rules. Replace that "smart relay" with a real Programmable Logic Controller that includes a full-function Operator Panel with numeric keypad—for the same low price.



## PLC notes:

- Onboard I/Os: Digital and Analog inputs, Relay or Transistor outputs
- High-speed inputs
- Windows-based Ladder Logic software
- Ladder code memory: 24K (virtual)
- SMS-enabled via GSM
- Remote access utilities
- Time-based control in 3 clicks

## HMI notes:

- Two 16-character text lines
- Up to 60 user-designed screens
- Multilingual - the Jazz™ LCD display supports over 15 languages and 20 graphic icons
- Displays conditional messages
- Shows time, date, bit status, timer & integer values (up to 64 HMI variables per application)
- LCD illuminated screen





# Applications

Jazz™. It's all around you

## ■ Industrial Automation

Textile, robotics, packaging, production lines



## ■ Water & Agriculture

Pumping, irrigation, flow monitoring



## ■ Building Automation

Air conditioning, lighting, barrier/door control, alarm systems



# PLC & HMI

## The ultimate duet



### Saves labor:

- Reduces programming time
- No Panel-PLC wiring
- Built-in Panel-PLC communication

### Boosts efficiency:

- Display instructions to machine operators
- Data entry via the Jazz™ operator panel
- View application data via Jazz™ Info Mode

### Cuts budget:

- Reduces hardware requirements
- Saves cabinet space

# Jazz™



## The ultimate instrument

Far more than a “smart relay”— the Jazz™ performs simple or complex control tasks

### More PLC capabilities:

- Ladder Logic programming ensures functional flexibility
- Program capacity: 24K of Ladder code memory (virtual)
- Functions include math, store/load, compare, & clock functions, plus immediate read/write to I/Os, interrupts, and loops

### More HMI functionality:

- Up to 60 user-designed screens
- Full alpha-numeric keypad
- Multilingual display

### More communication options:

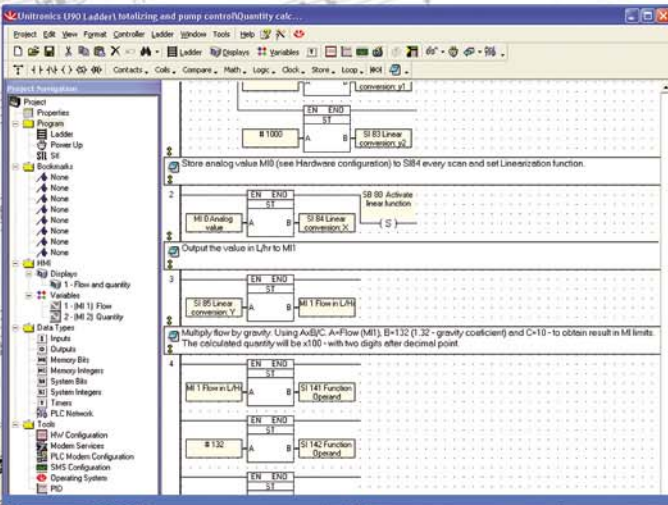
- GSM/SMS support
- Remote access utilities
- PC access via MODBUS or OPC server

# Programming Software

Compose your PLC and HMI applications in one environment

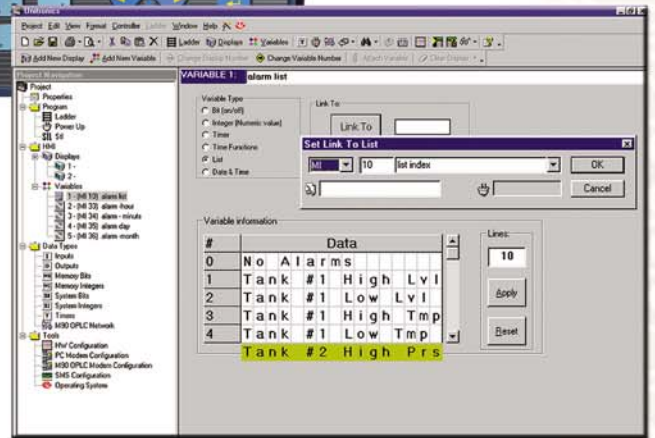
## Use the Ladder editor to:

- Program your application
- Drag-and-drop contacts, coils, timers and function blocks (math, logic, clock)
- Test and debug programs



## Use the HMI editor to:

- Design your operator interface
- Compose operator instructions
- Assign functions to keys
- Create and display variables





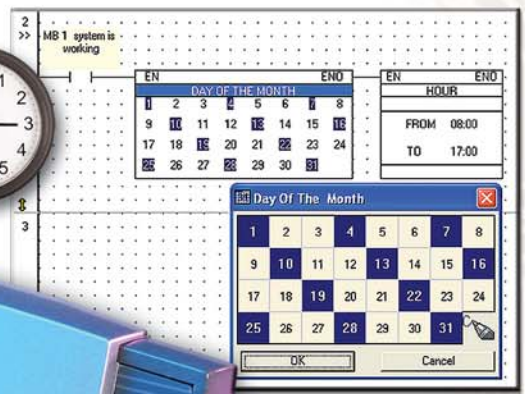
# Features

## Features

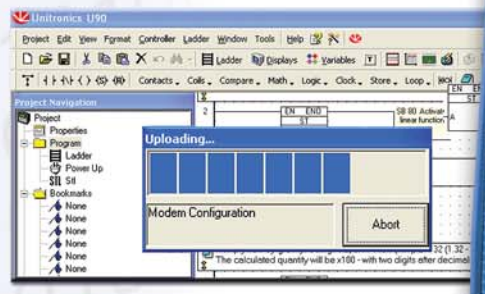
That let you keep up the beat



► **Customizable, user-labeled keyboard \***



▲ **Time-based control**



▲ **Full source upload\***



▲ **Print utility\***



▲ **Scroll between pre-programmed recipes/menus**

▲ **High-speed counters**



▲ **Multilingual display**



▲ **Program Cloner\***  
(optional Add-on Module), enables you to copy applications from PLC to PLC

\* These features require purchasing some Add-on modules or accessories (Add-on port, Program Cloner, Slide kit).



# Communication

## Jazz™ SMS Control

Music knows no boundaries

Use your GSM cell phone to implement real-time remote control in your application

The GSM-enabled Jazz™:

Sends and receives SMS messages containing both fixed text & variable data



Number	Description
1 +16175491187	Duty Electrician1
2 +16175491186	Duty Electrician2
3 +16175491185	Production Supervisor
4 +16175491184	Production Manager
5 +16175491183	Support Engineer
6 +16175491182	Shift Manager

Sends messages to many cell phone numbers

	Phone Number	Phone Description
<input type="checkbox"/>	0	Last Received Phone Number
<input checked="" type="checkbox"/>	1 +16175491187	Duty Electrician1
<input checked="" type="checkbox"/>	2 +16175491186	Duty Electrician2
<input checked="" type="checkbox"/>	3 +16175491185	Production Supervisor
<input checked="" type="checkbox"/>	4 +16175491184	Production Manager
<input checked="" type="checkbox"/>	5 +16175491183	Support Engineer
<input checked="" type="checkbox"/>	6 +16175491182	Shift Manager

Can route different messages to different phone numbers

Auto-acknowledges received messages



	Phone Number	Phone Description
<input type="checkbox"/>	0	Last Received Phone Number
<input type="checkbox"/>	1 +16175491187	Duty Electrician1
<input type="checkbox"/>	2 +16175491186	Duty Electrician2
<input checked="" type="checkbox"/>	3 +16175491185	Production Supervisor
<input checked="" type="checkbox"/>	4 +16175491184	Production Manager
<input type="checkbox"/>	5 +16175491183	Support Engineer
<input type="checkbox"/>	6 +16175491182	Shift Manager

Protects your system: prevents unauthorized calls





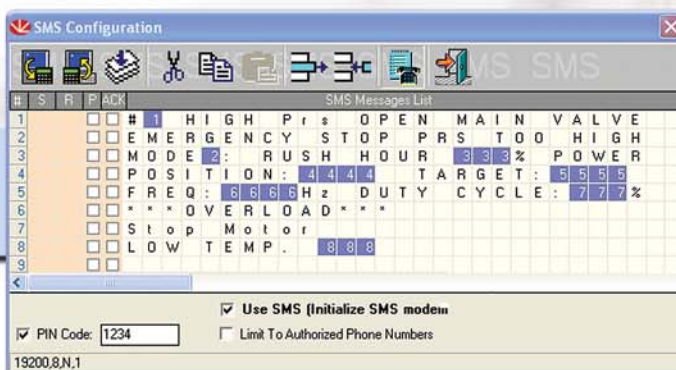
# Jazz™ SMS Control

Answers data requests from your cell phone



Sends data to any local or remote serial printer, via GSM

Contains up to 1K of user defined messages



## Remote GSM control requires:

- A Jazz™ OPLC™ unit
- RS232/Programming Add-on port and cable
- A GSM kit (includes a modem, magnetic antenna, cables and adapters)



# Communication

## Remote Access

Jazz™ reaches across time and space



**Access remote Jazz™ controllers via GSM or landline modem.**

- Download, upload, or debug remote Jazz™ programs
- Operate the controller's panel via remote PC
- View real-time parameters
- View and operate several controllers on your PC screen, simultaneously, in real-time
- Read, write, and store online operand values
- Run, reset, or initialize a remote controller



**Remote Access can run independently of the Ladder software, thereby protecting your program from unauthorized users**





# Communication

## Serial Communication

Let's talk... Jazz™

### RS232

Plug an Add-on port Module (optional) into the Jazz™ OPLC™ to enable PC access and to communicate with external serial devices, such as modems and printers.

### MODBUS

Establish master-slave communications between Jazz™ controllers and any PC application that supports the MODBUS protocol (such as SCADA systems).



### OPC/DDE Server

Enable the OPLC™ to exchange data with external applications. Our OPC/DDE servers can interface with SCADA systems, and read/write PLC data from/to Excel, Access, or other Windows-based applications.

### DataXport

A powerful software utility that captures PLC application data and exports it to Excel files for logging or processing. Exports data according to a user-defined schedule or manually, via direct connection or GSM/landline modem.

# Technical Specifications

## Technical Specifications

Article number	JZ10-11-R10	JZ10-11-T10	JZ10-11-R16	JZ10-11-T17	JZ10-11-R31	JZ10-11-T40
	6 Digital Inputs 4 Relay Outputs	6 Digital Inputs 4 Transistor Outputs	6 Digital Inputs 2 Digital/Analog Inputs 2 Analog Inputs 6 Relay Outputs	6 Digital Inputs 2 Digital/Analog Inputs 2 Analog Inputs 7 Transistor Outputs	16 Digital Inputs 2 Digital/Analog Inputs 2 Analog Inputs 11 Relay Outputs	16 Digital Inputs 2 Digital/Analog Inputs 2 Analog Inputs 20 Transistor Outputs
<b>I/Os</b>						
Digital inputs	6 pnp/npn (source/sink) 24VDC	6 pnp/npn (source/sink) 24VDC	8 <sup>1</sup> pnp/npn (source/sink) 24VDC	8 <sup>1</sup> pnp/npn (source/sink) 24VDC	18 <sup>1</sup> pnp/npn (source/sink) 24VDC	18 <sup>1</sup> pnp/npn (source/sink) 24VDC
High-speed counter	2 inputs can function as either high-speed counters (5 kHz, 16 bit resolution), or as normal digital inputs					
Analog inputs	None	None	Two <sup>1</sup> 10 bit inputs: 0-10V and Two 10 bit inputs: 0-20mA, 4-20mA	Two <sup>1</sup> 10 bit inputs: 0-10V and Two 10 bit inputs: 0-20mA, 4-20mA	Two <sup>1</sup> 10 bit inputs: 0-10V and Two 10 bit inputs: 0-20mA, 4-20mA	Two <sup>1</sup> 10 bit inputs: 0-10V and Two 10 bit inputs: 0-20mA, 4-20mA
Digital outputs	4 relay outputs	4 pnp (source)	6 Relay outputs	7 pnp (source)	11 Relay outputs	20 pnp (source)
<b>Program</b>						
Ladder code memory	24K (virtual)					
Bit/Coils	256					
Integers/Registers (16 Bit)	256					
Timers	64					
<b>Operator panel</b>						
Display size & Type	2 lines x 16 characters, STN LCD, LED backlight					
HMI displays	60 user-designed displays available					
Variables	64 HMI variables are available to conditionally display text and data. List variables add up to 1.5K's worth of HMI capacity					
Keypad	16 sealed membrane keys, including 15 programmable keys (10 of which are user-labeled)					
<b>Communication</b>						
<b>Via an Add-on port Module (JZ-PRG or JZ-RS4)<sup>2</sup></b>						
Serial communications	RS232/RS485, RS232/Programming Add-on port (optional, see Accessories)					
GSM support	SMS messages to/from many cell phone numbers, up to 1K of user-designed messages. Remote access-enabled					
MODBUS	Supports MODBUS protocol, Master-Slave					
<b>General</b>						
Power supply	24 VDC					
Clock (RTC)	Real-time clock functions (date and time)					
Battery back-up	10 years typical at 25°C, battery back-up for RTC and system data, including variable data					
Environment	NEMA4X/IP65 (from panel, when mounted)					

<sup>1</sup> These models comprise a total of 10/20 inputs (model-dependent). 6/16 (model-dependent) of these may be wired, in a group, as either digital npn or pnp. 2 inputs have added functionality. Both may be wired in a group as npn, pnp, or analog (voltage) inputs. Note that it is also possible to individually wire 1 input as a pnp input, and the other as an analog input. The 2 remaining inputs are analog (current).

<sup>2</sup> In order to download applications and enable communications, install Jazz™ with the appropriate Add-on Module.



# Technical Specifications

## Add-on Modules and Accessories

Description	Article number
<b>Programming Kit:</b> <b>Programming software CD</b> Use it to configure your hardware and write your PLC & HMI applications. <b>Programming Add-on port</b> Provides an RS232 interface for PC access, modem connections and communications with devices that supply active RS232 voltage signals for purposes of power supply. <b>Programming cable</b> <b>D-type adapter</b> Interfaces between the PC serial port and the programming cable	JZ-PRG
<b>Com Port Kit:</b> <b>Isolated RS232/RS485 Add-on port<sup>1</sup></b> Enables networking and serial communication, including programming. <b>Programming cable</b> <b>D-type connector</b> Interfaces between the PC serial port and the programming cable	JZ-RS4
<b>Program Cloner Add-on Module</b> Use the Cloner to copy applications from PLC to PLC	MJ20-MEM1
<b>Slide Kit</b> A set of keypad slides, which can be individually labeled and inserted into the Jazz.	MJ20-JZ-SL1

<sup>1</sup>The RS232/RS485 Add-on port is not yet UL certified

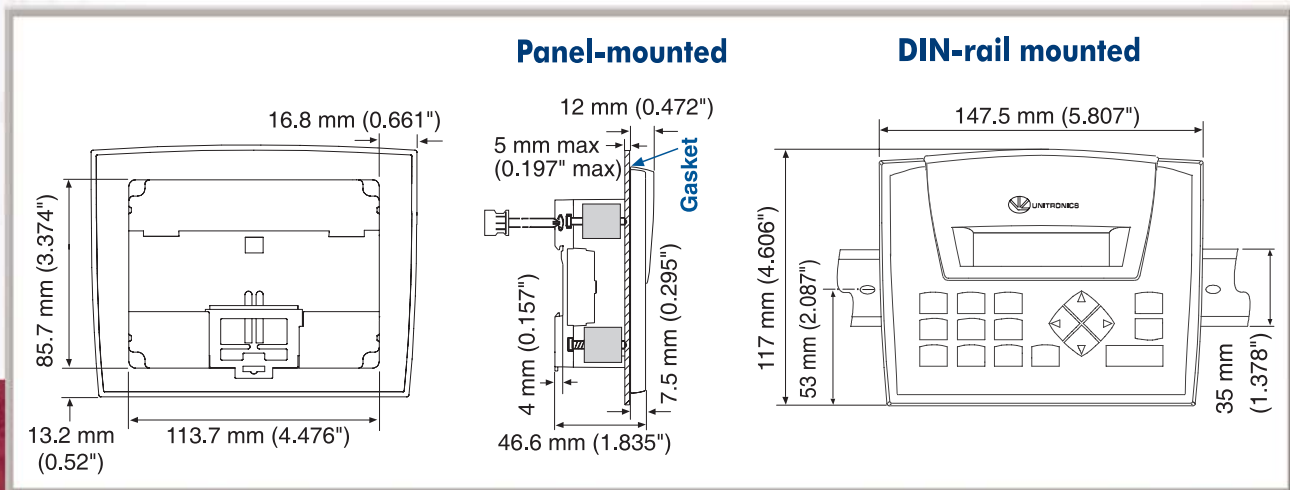
## Additional Unitronics® Accessories

Description	Article number
GSM Kit including Enfora modem	GSM-KIT-41J
GSM Kit including Siemens TC65 modem	GSM-KIT-14J
GSM Kit including Wavecom modem <sup>1</sup>	GSM-KIT-24J
RS232 communication cable for GSM modem (modem to PC) - Wavecom	MJ10-22-CS32
Power supply 1.1 Ampere, 24V switching power supply. DIN-rail or surface mounted.	PS-24-11A
USB to RS232 converter	MJ10-22-CS35

<sup>1</sup> Note that the PC to Modem cable for Wavecom modems (MJ10-22-CS32) must be ordered separately.



## Jazz™ dimensions and mounting



# About Unitronics®



Unitronics® designs, manufactures and markets quality PLCs for the global market.

Easy to use, efficient and affordable, our products have been automating processes and stand-alone applications since 1989.

Via our Israeli headquarters and U.S. subsidiary, Unitronics® supports a global marketing network of over 100 distributors.

Our field-proven OPLC™ controllers automate many thousands of installations in diverse fields: petrochemical, automotive, food processing, plastics and textile, energy and environment, water and wastewater management – anywhere automated processes are required.



## Our clients include:

- Coca-Cola
- General Motors
- Michelin
- Tupperware
- Intel

- Bayer
- Colgate-Palmolive
- Bosch-Rexroth
- ABB
- Land Instruments
- Mercedes

- Agfa
- Tyson Foods
- Pirelli
- Fiat
- Samsonite
- Black & Decker







World Wide Sales & Support

# World Wide Sales & Support

[www.unitronics.com/contact.htm](http://www.unitronics.com/contact.htm)



The information in this document reflects products at the date of printing. Unitronics reserves the right, subject to all applicable laws, at any time, at its sole discretion, and without notice, to discontinue or change the features, designs, materials and other specifications of its products, and to either permanently or temporarily withdraw any of the foregoing from the market. All information in this document is provided "as is" without warranty of any kind, either expressed or implied, including but not limited to any implied warranties of merchantability, fitness for a particular purpose, or non-infringement. Unitronics assumes no responsibility for errors or omissions in the information presented in this document. In no event shall Unitronics be liable for any special, incidental, indirect or consequential damages of any kind, or any damages whatsoever arising out of or in connection with the use or performance of this information. The tradenames, trademarks, logos and service marks presented in this document, including their design, are the property of Unitronics (1989) (R'G) Ltd. or other third parties and you are not permitted to use them without the prior written consent of Unitronics or such third party as may own them.







**Argentina:**  
**AEA SACIF**  
Tel: 11 457 41 555, Fax: 11 457 42 400  
serviciocliente@aea.com.ar, www.aea.com.ar



**Australia:**  
**Micromax Pty. Ltd.**  
Tel: +1 300 362 626, Fax: (02) 4271 8091  
micromax@micromax.com.au, www.micromax.com.au



**Austria:**  
**Schmachtl GmbH**  
Tel: 0732/7646-0, Fax: 0732/7646-704  
office@schmachtl.at, www.schmachtl.at



**Belgium:**  
**Isotron Systems BVBA**  
Tel: 03 450 70 45, Fax: 03 450 70 46  
info@isotron.eu, www.isotron.eu



**Brazil:**  
**DAKOL Instrumentos e Sistemas Ltda.**  
Tel: (11) 3231-45 44, Fax: (11) 3231-45 44  
info@dakol.com.br, www.dakol.com.br



**Bulgaria:**  
**Semo Ltd.**  
Tel: 2 980 58 82, Fax: 2 981 35 90  
semo@semo.bg, www.semo.bg



**Canada:**  
**Sandtron Automation Limited**  
Tel: 800-387-5729, Fax: 905-825-2163  
custserv@sandtron.com, www.sandtron.com



**Chile:**  
**E.i.Schadler y Cia Ltda.**  
Tel: (2) 2747430, Fax: (2) 2049338  
info@schadler.com, www.schadler.com



**China:**  
**Konder Co, Ltd.**  
Tel: 08 713 628 710, Fax: 08 713 638 622  
KM@konder.com, www.konder.com



**China:**  
**Automate Control Engineering Ltd.**  
Tel: 02 038 845 119, Fax: 02 038 823 577  
www.automate-ace.com, Guangzhou@automate-ace.com



**Colombia:**  
**COLSEIN LTDA**  
Tel: 1 610 84 48 / 236 76 59, Fax: 1 610 8448  
info@colsein.com.co, www.colsein.com.co



**Croatia:**  
**Tipteh d.o.o. (Slovenia)**  
Tel: +386 1 200 5150, Fax: +386 1 200 5151  
info@tipteh.si, www.tipteh.si



**Cyprus:**  
**Anaxagoras Pneumatics Ltd.**  
Tel: 22 312 700, Fax: 22 495 953  
anaxcy@spidernet.com.cy, www.anaxcy.com



**Czech Republic:**  
**Schmachtl CZ, spol. s r.o.**  
Tel: 2 44 001 500, Fax: 2 44 910 700  
tesar@schmachtl.cz, www.schmachtl.cz



**Denmark:**  
**Desim Elektronik ApS**  
Tel: 70 22 00 66, Fax: 70 22 22 20  
desim@desim.dk, www.desim.dk



**Estonia:**  
**Klinkmann Eesti AS**  
Tel: 6 684 500, Fax: 6 684 501  
klinkmann.est@klinkmann.ee, www.klinkmann.com



**Finland:**  
**Klinkmann Automation Oy**  
Tel: 9 540 49 40, Fax: 9 541 35 41  
automation@klinkmann.fi, www.klinkmann.com



**France:**  
**PL SYSTEMS**  
Tel: (0) 1 60 92 41 71, Fax: (0) 1 69 28 41 93  
info@pl-systems.fr, www.pl-systems.fr



**Germany:**  
**Spectra Computersysteme GmbH**  
Tel: +49-711/90297-0, Fax: +49-711/90297-90  
spectra@spectra.de, www.spectra.de



**Greece:**  
**Automation & Power Control Ltd**  
Tel: 210 4321953, Fax: 210 4321875  
info@apc.com.gr, www.apc.com.gr



**Hong Kong:**  
**Automate Control Engineering Ltd.**  
Tel: 02 342 72 76, Fax: 02 342 72 29  
www.automate-ace.com, ace@automate.corp.com.hk



**Hungary:**  
**Kvalix Automatika Kft.**  
Tel: (1) 272 2242, Fax: (1) 272 2244  
info@kvalix.hu, www.kvalix.hu



**India:**  
**Rajdeep Automation Pvt Ltd**  
Tel: 020-243 937 55, Fax: 020 243 937 56  
bbtt@vsnl.net, www.rajdeep.in



**Ireland:**  
**Automated Components Ireland Ltd (ACI)**  
Tel: 01 628 28 24, Fax: 01 6283536  
ddownes@pakautomation.ie, www.pakautomation.ie



**Israel:**  
**Zivan Instruments Co. Ltd.**  
Tel: 04 872 98 22, Fax: 04 872 66 27  
info@zivan.co.il, www.zivan.co.il



**Italy:**  
**TELESTAR s.r.l.**  
Tel: 02 967 402 68, Fax: 02 967 402 73  
telestar@telestar-automation.it, www.telestar-automation.it



**Japan:**  
**K. Meccs Co., Ltd.**  
Tel: 03 5825 5333, Fax: 03 5825 8550  
info@kmeccs.co.jp, www.kmeccs.com



**Korea (South):**  
**Wool CnS CO., Ltd.**  
Tel: 032 326 5701, Fax: 032 326 5714  
wool@woolcns.co.kr, www.woolcns.co.kr



**Latvia:**  
**Klinkmann Lat Ltd.**  
Tel: 738 16 17, Fax: 738 24 51  
klinkmann@klinkmann.lv, www.klinkman.com



**Lithuania:**  
**Klinkmann Lit**  
Tel: 5 216 2572, Fax: 5 216 2641  
post@klinkmann.lt, www.klinkmann.com



**Macedonia:**  
**Tipteh d.o.o. Skopje**  
Tel: 070 399 474, Fax: 3174197  
tipteh@on.net.mk, www.tipteh.si



**Mexico:**  
**Sistemas de Control Autec, S.A. de C.V.**  
Tel.: 55 5278-8519, Fax: 55 5278-8532  
soporte@scautec.com, www.scautec.com



**The Netherlands:**  
**Isotron Systems BV**  
Tel: 073-639 1639, Fax: 073-639 1699  
info@isotron.nl, www.isotron.nl



**New Zealand:**  
**EMC Industrial Group Ltd.**  
Tel: 9 415 5110, Fax: 9 415 51 15  
sales@emc.co.nz, www.emc.co.nz



**Nigeria:**  
**Technosuite Limited**  
Tel: 01 804 0 2 37, Fax: 01 271 6985  
enquiries@technosuiteid.com, www.technosuiteid.com



**Norway:**  
**Tormatic as**  
Tel: 33 16 50 20, Fax: 33 16 50 45  
info@tormatic.no, www.tormatic.no



**Peru:**  
**EPLI SAC**  
Tel: (511) 3301595, Fax: (511) 4311492  
info@epli.com.pe, www.epli.com.pe



**Poland:**  
**Elmark Automatyka Sp. zo.o.**  
Tel: 22 773-79-37, Fax: 22 773-79-36  
elmark@elmark.com.pl, www.elmark.com.pl



**Portugal:**  
**Tecnilab Portugal, SA**  
Tel: 21 722 08 70, Fax: 21 726 45 50  
geral@tecnilab.pt, www.tecnilab.pt



**Russia:**  
**Klinkmann SPB**  
Tel.: 812 327 37 52, Fax: 812 327 37 53  
klinkmann@klinkmann.spb.ru, www.klinkmann.com



**Russia:**  
**ZAO Klinkmann Spb**  
Tel: 8 495 641-1100, Fax: 8 495 641-3434  
moscow@klinkmann.spb.ru, www.klinkmann.com



**Singapore:**  
**SciGate Automation (s) Pte Ltd**  
Tel: (65) 65610488, Fax: (65) 65620 588  
sales@scigate.com.sg, www.scigate.com.sg



**Slovenia:**  
**Tipteh d.o.o.**  
Tel: (1) 200 51 50, Fax: (1) 200 51 51  
info@tipteh.si, www.tipteh.si



**South Africa:**  
**AUTOCON SYSTEMS cc**  
Tel: 011 823 5555, Fax: 011 823 5559  
info@autocon.co.za, www.autocon.co.za



**Spain:**  
**SIDE, SA**  
Tel: 93 846 4801, Fax: 93 849 1394  
elec@side.es, www.side.es



**Sweden:**  
**Leuze SensorGruppen AB**  
Tel: 08-731 51 90, Fax: 08-731 51 05  
info@leuze.se, www.leuze.se



**Switzerland:**  
**COMAT AG Industrielle Elektronik**  
Tel: (0)31 838 55 77, Fax: (0)31 838 55 99  
info@comat.ch, www.comat.ch



**Taiwan:**  
**MARK Automation Technologies Inc.**  
Tel: 02-2351 0992, Fax: 02-2358 1835  
products@marktech.com.tw, www.marktek.com.tw



**Thailand:**  
**Themtech Company Ltd.**  
Tel: (662) 277-8027, Fax: (662) 693-6630  
themtech@ksc.th.com



**Turkey:**  
**Yorum Otomatik Kontrol**  
Tel: +90 212 210 94 95, Fax: +90 212 210 94 99  
yorum@yorum-automation.com, www.yorum-automation.com



**Ukraine:**  
**Klinkmann Ukraine**  
Tel: 44 408 41 07, Fax: 44 408 4159  
klinkmann.kiev@klinkmann.kiev.ua, www.klinkmann.com



**United Kingdom:**  
**Powertronic Drive Systems Ltd.**  
Tel: 01491 579 118, Fax: 01491 412 211  
sales@acdsystems.com, www.acdsystems.com



**USA: Unitronics Inc.**  
Toll free: 866-666-6033  
Tel: 617-657-6596, Fax: 617-657-6598  
usa.sales@unitronics.com, www.unitronics.com



**Venezuela:**  
**Intrave, C.A**  
Tel: (0212) 953.5080, Fax: (0212) 951.2521  
ventas@intrave.com, www.intrave.com



**Vietnam (North):**  
**Q Systems Ltd.**  
Tel: 04 976 0144, Fax: 04 976 0145  
qsystems@hn.vnn.vn, www.qsystemsco.com



**Vietnam (South):**  
**Hung Giang**  
Tel: 08 862 0898, Fax: 08 862 0899  
satech-uv@hcm.vnn.vn



**Yugoslavia:**  
**ACE-Automatic Control Engineering**  
Tel: 023 523 948, Fax: 023 525 553  
info@ace.co.yu, www.ace.co.yu



**UNITRONICS**<sup>®</sup>  
www.unitronics.com

**Unitronics, International Headquarters:**  
P.O.B. 300, Ben Gurion Airport 70100, Israel  
Tel: +972 3 977 88 88, Fax: +972 3 977 88 77  
export@unitronics.com